

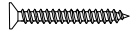
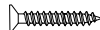

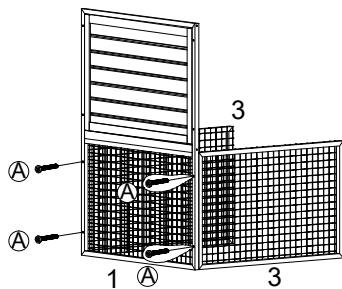
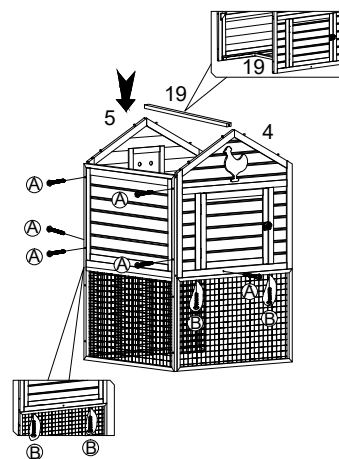


- A**  M6X30mm x32
- B**  M3.5X40mm x12
- C**  M3.5X35mm x4
- D**  M3X16mm x2
- E**  x8

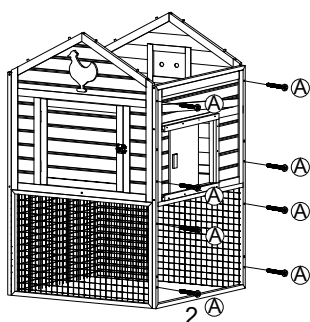
**1**



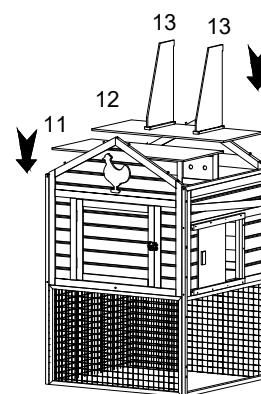
**2**



**3**

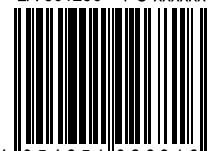


**4**



zooplus SE | Sonnenstraße 15 | 80331 München | Germany | [zooplus.com](http://zooplus.com) | [service@zooplus.com](mailto:service@zooplus.com)  
 For GB market: **zooplus Services Ltd.** | 30 St. Giles | Oxford | OX1 3LE | England  
 Made in China

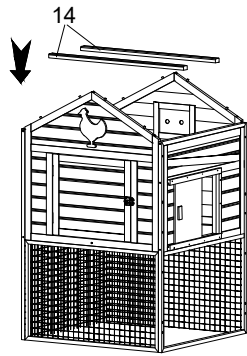
TIAKI Chicken Coop Premium  
 LA 501236 PO xxxxxx



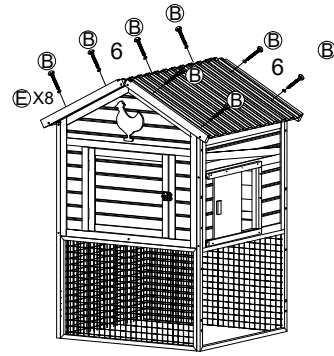
4 054651 026816



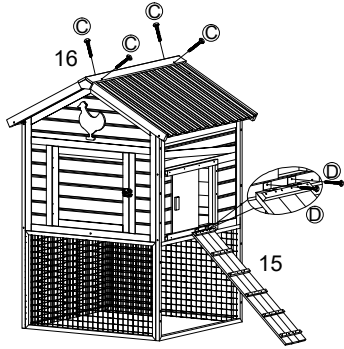
# 5



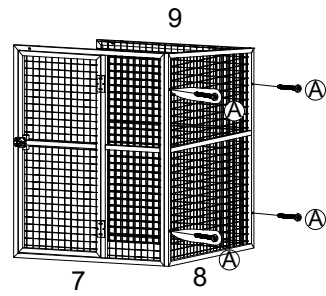
# 6



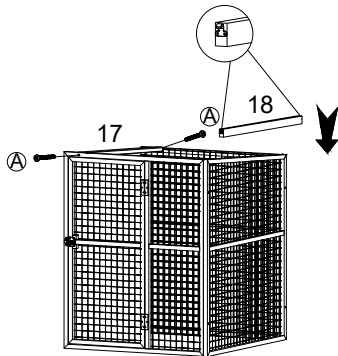
# 7



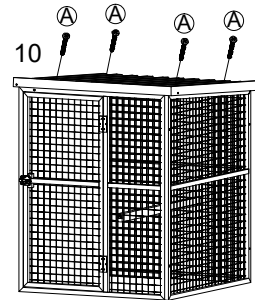
# 8



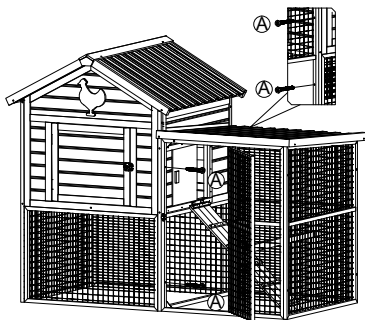
# 9



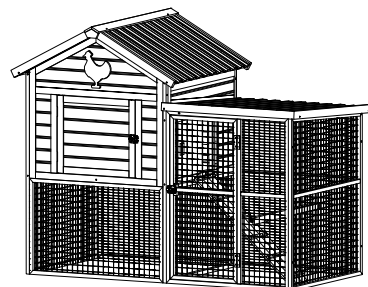
# 10



# 11

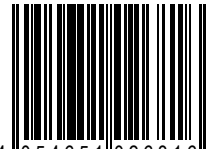


# 12



zooplus SE | Sonnenstraße 15 | 80331 München |  
 Germany | [zooplus.com](http://zooplus.com) | [service@zooplus.com](mailto:service@zooplus.com)  
 For GB market: **zooplus Services Ltd.** |  
 30 St. Giles | Oxford | OX1 3LE | England  
 Made in China

TIAKI Chicken Coop Premium  
 LA 501236 PO xxxxxx



4 054651 026816